



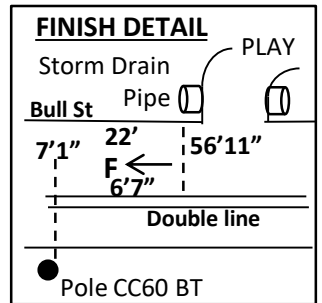
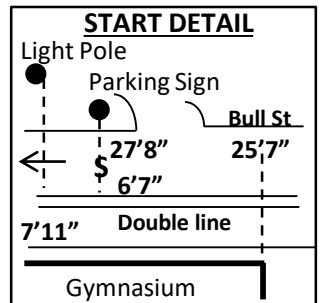
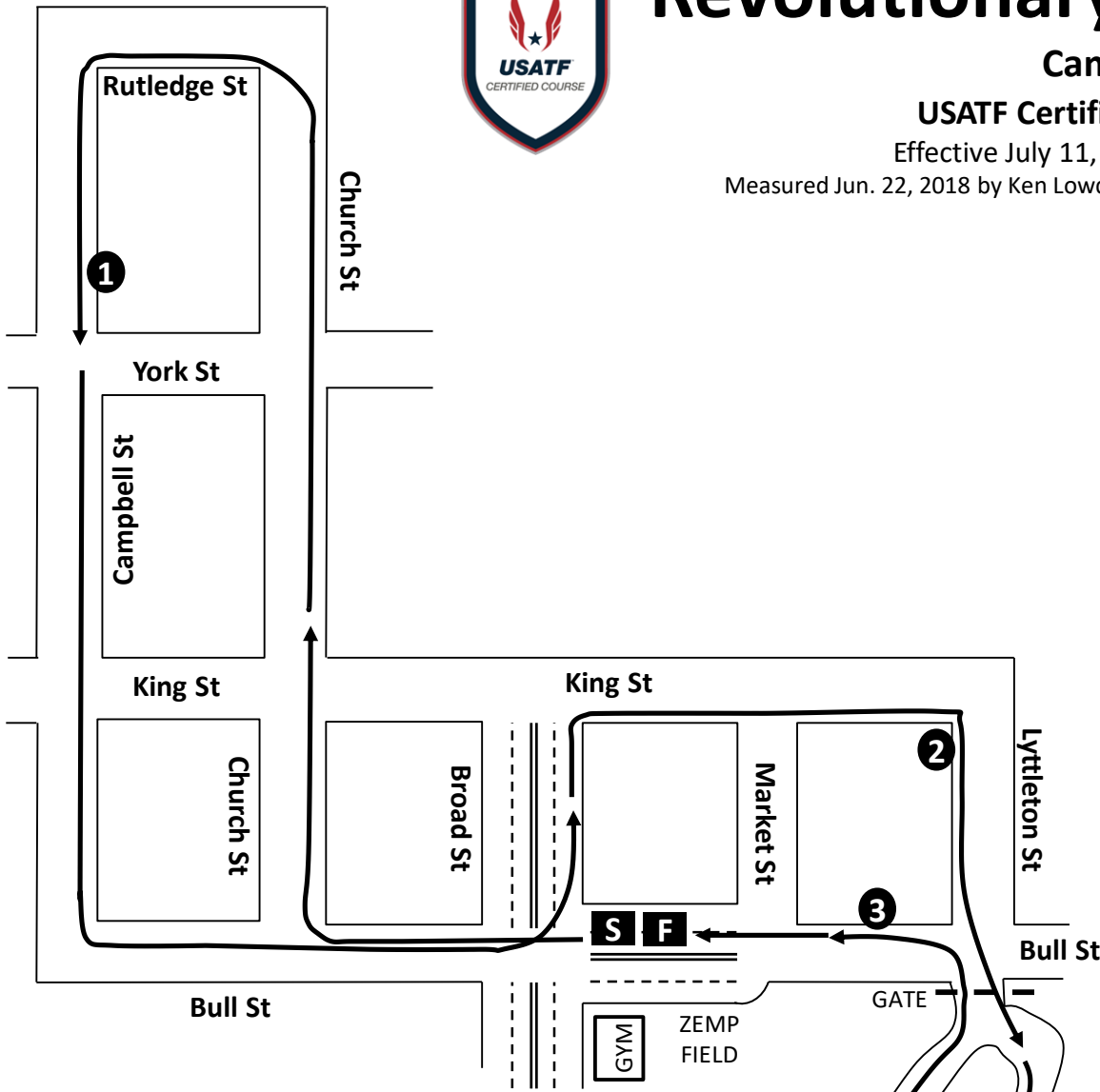
Revolutionary Run 5k

Camden, SC 29020

USATF Certificate SC18005KWL

Effective July 11, 2018 to Dec. 31, 2028

Measured Jun. 22, 2018 by Ken Lowden RunOnSC@yahoo.com

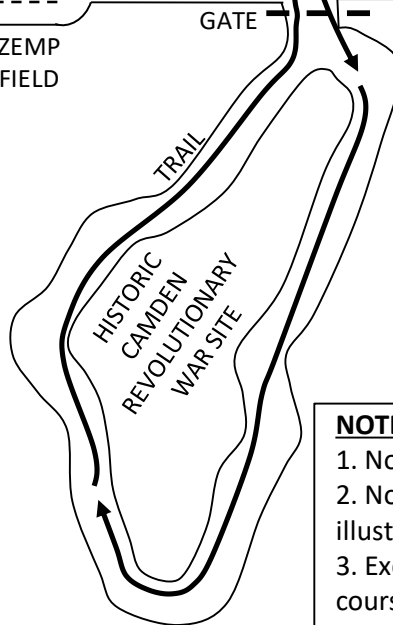


S	In W bound traffic lane 27'8" S from base of Public Parking pole, 6'7" N of double center line, 7'11" E of light pole at parking entrance and 25'7" W of the E side wall of the gymnasium building.
1	8'1" N of water meter located at the front door sidewalk to house 802.
2	Even with N side of driveway to house 610 & 56' S of water meter box house 611.
3	17'5" W of light pole on NW corner of Cooper St.
F	In W bound traffic lane 22" S of pavement edge, 6'7" N of double center line, 7'1" E of power pole CC60 BT and 56'11" W of storm drain pipe at playground exit road.

ELEVATION
Start: 52 m
Finish: 52 m
Highest: 56 m
Lowest: 44 m



© Copyright
All rights reserved
Revolutionary Run SC



NOTES & RESTRICTIONS
1. Not to Scale.
2. Not all cross streets are illustrated.
3. Except where otherwise noted course has been measured on the shortest possible route using full width of the road to within 18" of curbs and other defined edges.
4. Restricted to trail in War site and to the West bound traffic lanes on Bull from Market St to Finish.