

Revolutionary Run Half Marathon 2018

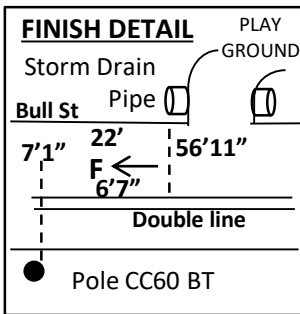
Camden, SC 29020

USATF Certificate SC18007KWL

Effective Aug. 17, 2018 to Dec. 31, 2028

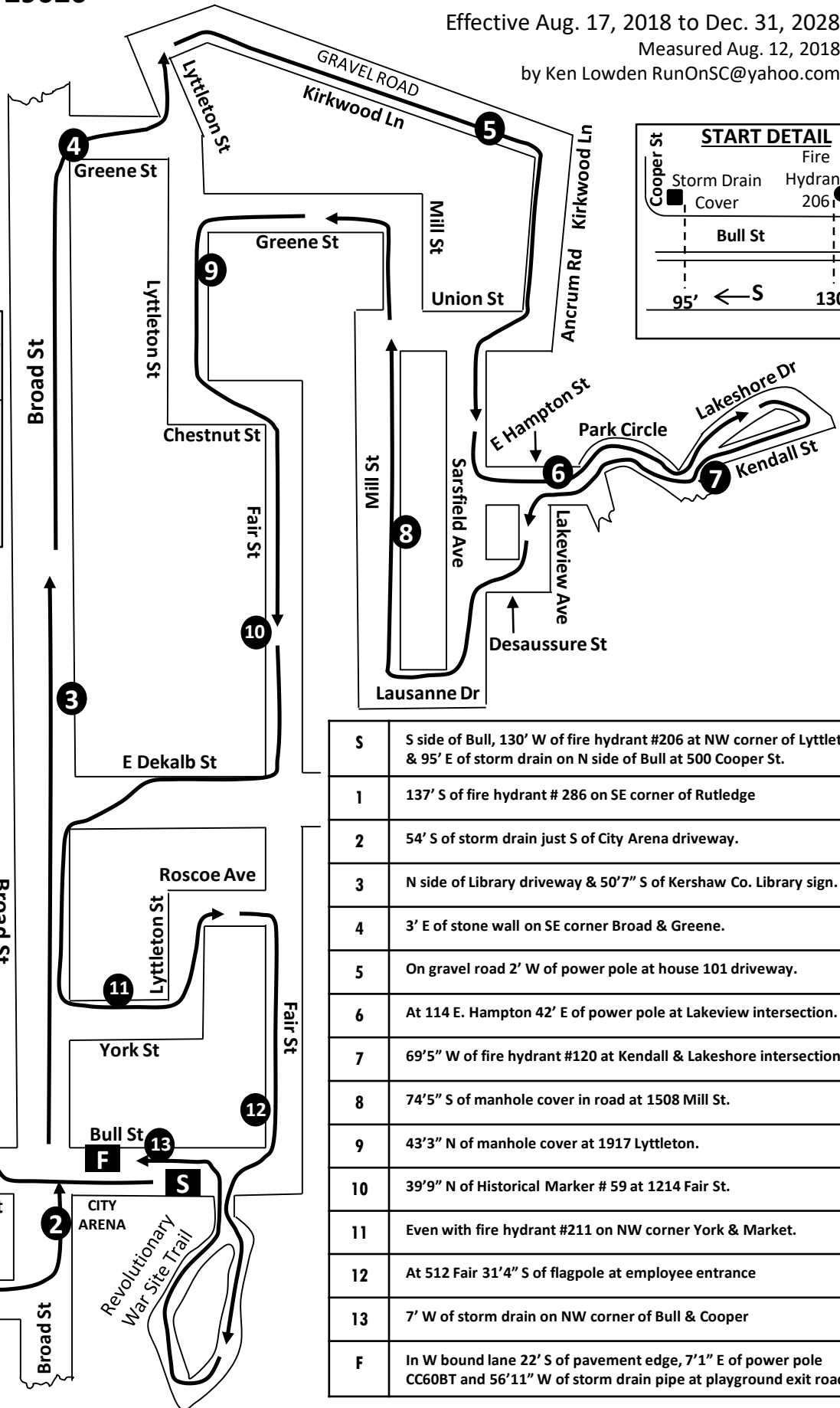
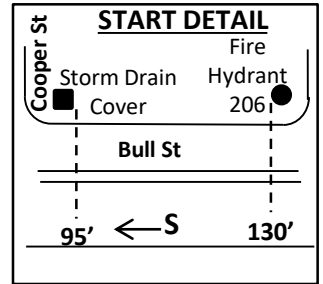
Measured Aug. 12, 2018

by Ken Lowden RunOnSC@yahoo.com



ELEVATION

Start: 53 m
 Finish: 52 m
 Highest: 78 m
 Lowest: 47 m



S	S side of Bull, 130' W of fire hydrant #206 at NW corner of Lytleton & 95' E of storm drain on N side of Bull at 500 Cooper St.
1	137' S of fire hydrant # 286 on SE corner of Rutledge
2	54' S of storm drain just S of City Arena driveway.
3	N side of Library driveway & 50'7" S of Kershaw Co. Library sign.
4	3' E of stone wall on SE corner Broad & Greene.
5	On gravel road 2' W of power pole at house 101 driveway.
6	At 114 E. Hampton 42' E of power pole at Lakeview intersection.
7	69'5" W of fire hydrant #120 at Kendall & Lakeshore intersection.
8	74'5" S of manhole cover in road at 1508 Mill St.
9	43'3" N of manhole cover at 1917 Lytleton.
10	39'9" N of Historical Marker # 59 at 1214 Fair St.
11	Even with fire hydrant #211 on NW corner York & Market.
12	At 512 Fair 31'4" S of flagpole at employee entrance
13	7' W of storm drain on NW corner of Bull & Cooper
F	In W bound lane 22' S of pavement edge, 7'1" E of power pole CC60BT and 56'11" W of storm drain pipe at playground exit road.